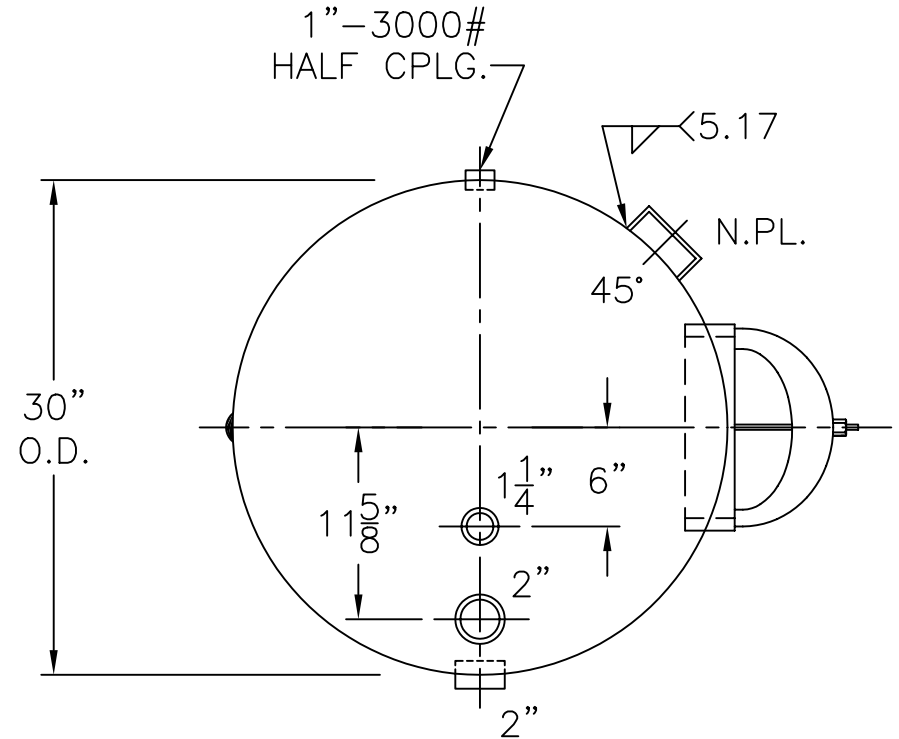


- 4) 4-1-04 PROOF TEST.
- 3) EXTEND ALL CPLGS. 5/8" INSIDE.
- 2) HYDRO @ 240 PSIG. MIN.

NOTE: 1) SEAL ALL OPENINGS TO KEEP CEMENT MOIST TO PREVENT CRACKING.



VIEW W/OUT SUPPORTS

|       |                                |   |               |
|-------|--------------------------------|---|---------------|
| HEADS | .166" SA-414-G 2:1 S.E.        | CS-30-140-H   | REV. 9-14-04  |
|       | JOGGLE                         |   | DATE: 3-2-90  |
| SHELL | .165" SA-414-G                 | FOR: HANSON STANDARD<br>HORIZ. HOT WATER TANK   |               |
|       | M.A.W.P. 160 PSIG. @ 210 °F    | 37.1 SQ. FT. SURFACE AREA.<br>THIS TANK IS SHIPPED WITH ALL OPENINGS SEALED. THE CEMENT LINING MUST BE KEPT MOIST BEFORE, DURING, AND AFTER INSTALLATION TO PREVENT CRACKING OF THE CEMENT. |               |
|       | ASME. SECTION IV 2001 ADD 2003 | INSIDE: CEMENT LINED (129)  |               |
|       | X-RAY: RT-NO / H.L.W.          | OUTSIDE: PRIME  |               |
|       | GALLONS: 140 WT. 612 LBS.      | CAD-"B" UNDER "STD"-SERIES  |               |
|       | SERIAL NO.                     | BY: E.S.  | SCALE: 1"=12" |
|       | N.B.                           | <b>ROY E. HANSON JR. MFG.</b>   |               |
|       |                                | 1924 COMPTON AVE.<br>LOS ANGELES, CA 90011  |               |